

高耐磨阀门 High Wear Resistant Valve



全方位的管道解决 方案专家

上海华通阀门有限公司
SHANGHAI HUATONG VALVE CO.,LTD.



公司简介

上海华通阀门有限公司是一家通过国家质检总局TS、挪威船级社ISO9001-2000-DNV、美国船级社ABS、美国石油学会API-6D-0459、欧盟CE-0036认证以及澳大利亚SAI-WATERMARK认证，具有注册资金6000万元，自营进出口权的阀门专业制造企业。工厂及行政办公区分别座落于上海嘉定、漕河泾国家高新技术园、安徽和县等地，共占地面积约11万平方米，拥有先进的机械加工设备及完善的理化检验及性能测试设备，员工300多人，其中工程技术人员约占17%，2008年阀门产值超亿元，且在席卷全球金融危机之时，公司果敢实施逆势扩张企业战略布局，在安徽和县新建阀门生产基地——上海华通斯瑞尔阀门有限公司，进一步优化企业资源配置，降低生产、经营成本，极大地提高了企业的综合实力和發展潜能，使公司稳步跨入国内阀门行业先进制造企业之列。

依照“完善体系、科学管理、产品一流、顾客满意”的质量方针建立和完善了质保体系，并于1999起先后通过了国家质检总局TS、挪威DNV、美国API、美国ABS、欧盟CE、澳洲SAI、等一系列认证和政府许可。为全面提高企业综合竞争力、公司每年斥巨资用于新产品创新研发与员工教育培训，并先后与上海交大、上海大学、合肥通用机械研究院、上海通用机械研究所、台湾健峰等科研院校建立长期的产、学、研联合体和员工培训教育合作基地。严格按照中国GB、英国BS、美国ANSI、API、AWWA、MSS、德国DIN、日本JIN、澳洲AS等标准设计、生产各种材质的“上华”牌蝶阀、闸阀、球阀、截止阀、止回阀、水力控制阀等系列产品。驱动操作方式有手柄、蜗轮蜗杆手动、气动、电动、液动、电液动等方式可供选择。根据产品使用工况的要求，阀门材料和密封结构可实现多种优化配置，以满足用户对产品的不同需求，使阀门在各种压力、温度、工况及介质条件下确保其密封性、抗磨性、耐蚀性和安全性。公司自主研发的“上华”牌双向密封高性能蝶阀、高抗磨蝶阀、高抗耐磨刀闸阀、轴流式止回阀、快关（开）带锁闭功能调节阀等新产品被广泛应用于电力、冶金、石油、化工、轻纺、环保、城建、造船、食品医药和国防科研等领域，填补国内长期无法满足的需求空缺，并出口欧美、澳洲、中东等国际市場深受用户好评。

辉煌成就铸造诸多荣誉。产品通过国家质量监督机构的性能测试，获得国家特种设备制造许可证，被评为建设部和国家城镇供水协会的推荐产品，并多次获得国家、上海市优质产品奖，及“重合同、守信用”单位和“质量免检单位”称号。现为中国石油天然气集团公司（CNPC）、中国石油化工股份有限公司（Sinopec Corp）、中国化工装备总公司（CNCE）、中国电力物资（CWEME）阀门网络供应的成员單位，荣获蝶阀、闸阀、止回阀、球阀等专利证书。公司是国家阀门标准化委员单位，曾主持、参与起草了国家GB/T12238-2008、GB/T21386-2008、GB/T21387-2008的蝶阀、止回阀、减压阀、闸阀等多项国家阀门标准。

公司始终遵循“质量第一、用户满意”的经营宗旨。公司设有安装调试、技术培训、产品维修和零配件供应的专门服务机构，承接非标及引进阀门的设计制造，竭诚为用户提供高科技的优质产品和满意的服务。

为拓展市场和提升企业发展的需要，公司正不断扩大投资规模，海纳各方英才，热忱欢迎国内外客户前来洽谈惠顧和指导工作，建立业务和经济技术方面的广泛合作。

Brief Introduction

Shanghai Huatong Valve Co., Ltd. is a professional valve manufacturer with independent import&export rights, The company has 60 million yuan of registered capital and has passed the certification of AOSIQ TS, ISO9001-2000-DNV, ABS, API-6D-0459, CE-0036 and SAI-WATERMARK. The plant and the administration area are respectively located in Shanghai Jiading district, Shanghai Caohejing national Hi-Tech developing park and Hexian Anhui province, totally covering an area of about 110,000 square meters.

The plant is equipped with the advanced mechanical facilities and the inspecting apparatus, there are more than three hundred employees and among them there are about seventeen percent of technicians and engineers. The output value has exceeded one hundred million RMB. When the financial crises had been sweeping the globe, the company determined to implement the strategic layout of enlarging investment against the situation, set up a new product base in Hexian Anhui province —— Shanghai Huatong Sreal Valve Co.,Ltd. The move bring further optimize of the allocation resources, reduce production and operating costs, greatly improve the overall strength and development potential, which make the company firmly enter into the team of advanced manufacturing companies in domestic valve industry.

Guided under the quality policy "Perfect System, Science Management; Top Product, Customer Satisfaction", the company has set up and improved the quality management system. It has passed TS, ISO9001-DNV and CE approvals, and got API-6D-0459, ABS and SAI certificates in sequence since 1999.

In order to enhance products competitive and improve products technical grade, the company spending huge sums for new product innovation and staff education training, and it has establish relationship with Shanghai University, Hefei General Machine Research Institute, Shanghai General Machine Research Institute and Vigor Management Technology Association for a long-term cooperation including industry, academia, research and staff training and education consortium.

In strict accordance with GB, BS, ANSI, API, AWWA, MSS, DIN, JIS and AS standards, the company manufactured the ranges of "SHANGHUA" brand valves products, include gate valves, ball valves, globe valves, butterfly valves, check valves, Y type strainers etc.. And there are hand wheel, worm gear, pneumatic and electric actuator available for selection.

Materials, seal structures and driving modes can be optimized to be incorporated to satisfy clients' different demands on valves, ensuring its performances on sealing, abrasion resisting, corrosion resisting and safety under conditions of different pressure, temperature and medium.

The company has independently developed many new products upon requests of markets, such as Bi-directional high performance butterfly valve, high anti-abrasion butterfly valve, axial check valve and quick shut on/off regulating valve with lock, by now these innovative products are wildly used in the industries of petrochemical, chemistry, iron and steel, power station, papermaking, pharmacy, and city construction etc., these are not only fill the long-term insatiable vacancies in domestic, while exporting to Europe, Australia, Middle East and other international markets they receive many praise by users.

Honors depends on brilliant achievements. The company's products pass through the performance testing of National quality supervision agency, access to the national special equipment manufacturing license, and was awarded as the recommended products by Ministry of Construction and the National Water Supply Association. It has also won several national and Shanghai's quality award, "heavy contract, keep promise" unit and "quality inspection unit". And possessed many patents on butterfly valve, check valve and ball valve, and was involved in presiding and drafting national valve standards of butterfly valve, check valve, reduce pressure valve and gate valve (GB/T12238-2008、GB/T21386-2008、GB/T21387-2008). Now the company has become a network member supply valve to CNPC, Sinopec CNCE, CWEME..

The company always follow the "quality first, customer satisfaction" business purposes. The company has installation and commissioning, technical training, product maintenance and spare parts supply of specialized services, to undertake non-standard and the introduction of valve design and manufacturing, dedicated to providing high quality products and satisfactory service to clients.

In order to develop market and improve enterprise developing demands, the company is continued to make investment on enlarging manufacturing capabilities and recruit elites. Sincerely welcome domestic and oversea clients to come here or contact us for mutual profits, further more establish the business relationship and seeking for the widely economic and technical cooperation.

一 概述 Summarize

改革开放以来，石油、化工、冶金、建材、新能源各等行业迅猛发展，各行业涉及矿粉、灰渣、浆液、金属硅粉、含固体颗粒液体及高硬度催化剂等特殊介质，这些工作介质对管道中阀门的磨损远远超过通常液体和气体介质，因此造成阀门快速失效、频繁更换，成为制约装置正常运行的瓶颈，影响了行业的发展。

上海华通阀门有限公司组织行业专家和公司技术力量，对上述磨损失效的阀门及相关装置的运行维护情况进行了认真调查研究，针对不同的介质和工况，强力开发高耐磨阀门。几经寒暑，投资数百万建立了国内首座耐磨阀门试验站，研制成功了高耐磨球阀、高耐磨闸阀、耐磨刀闸阀、耐磨蝶阀等4大类耐磨阀门。

这4大类耐磨阀门综合采用了全通径结构、镶套技术、隐藏式密封副、抗磨材料和高硬度表面喷涂等各种抗磨损技术，使金属阀门的耐磨性能达到了新高度。各行业的用户可以根据不同的工况条件来选用相应的耐磨阀门，延长阀门的使用寿命，减少阀门的维护和更换，以延长装置的运行周期。

With the reform and opening, petroleum, chemical industry, metallurgy, building materials and energy have a rapid development. Various industries involve mineral powder, ash, serum, silicon metal powder, liquid containing solid particles and high hardness catalyst etc special medium, The wear against the pipeline is far more than usually liquid and gas medium, which causes the valve failure, fast frequent change ,which become the bottleneck to limit the normal operation of the equipment and impact the industry development.

Shanghai huatong valve limited company organize industry experts and company technical force, to investigate the failure of the wear resistant valve and relevant operation and maintenance situation. in view of the different medium and working situation, powerfully developing high wear resistant valve. After many years, we invest millions dollars to set up the first national wear-resistant valve experiment stations, we successfully developed high wear-resistant ball valve, gate valve, knife gate valve ,butterfly valve.

The four types of wear-resistant valve take use of full-bore structure, insert bush technology, concealment type seal, anti-wear material and high resistance to wear of the surface hardness spray technology, and make the wear-resistant performance of the metal valve to a new high. Various sectors of the user can choose corresponding wear-resistant valve according to different working conditions ,which can extend valve life, reduce maintenance and replacement of the valve to extend the operation cycle.

二 技术规范 Technical Specification

1. 标准 The standard

类别 sort	标准 standard
阀门产品（参照） The valve products (reference)	GB/T 12237 石油、石化及相关工业用的钢制球阀 Oil, chemicals and related industrial steel ball valve GB/T 12238 法兰和对夹连接弹性密封蝶阀 Flange and wafer resilient seal butterfly valve JB/T 8527 金属密封蝶阀 Metal seal butterfly valve JB/T 8691 对夹式刀形闸阀 wafer knife gate valve API 6D 管线阀门 Pipeline valve
结构长度 Face to face dimension	GB/T 12221 金属阀门 结构长度 Metal valve face dimensions
法兰连接端 Flange end	GB/T 9113.1 平面、突面整体钢制管法兰 Flat face ,raise face, whole steel pipe flange GB/T 9115.1 平面、突面对焊钢制管法兰 Flat face ,raise face, butt weld steel pipe flange JB/T 79.1 整体铸钢管法兰 The whole cast steel pipe flanges HG 20596 整体钢制管法兰 The whole steel pipe flanges
试验与检验 Test and inspection	GB/T 13927 工业阀门 压力试验 Industrial valve pressure test JB/T 9092 阀门的检验与试验 Inspection and test of the valve HT/Q 0926 耐磨阀门的检验与试验 Wear-resistant valve test and inspection



2. 压力试验规范 (GB/T 13927) Pressure test specification

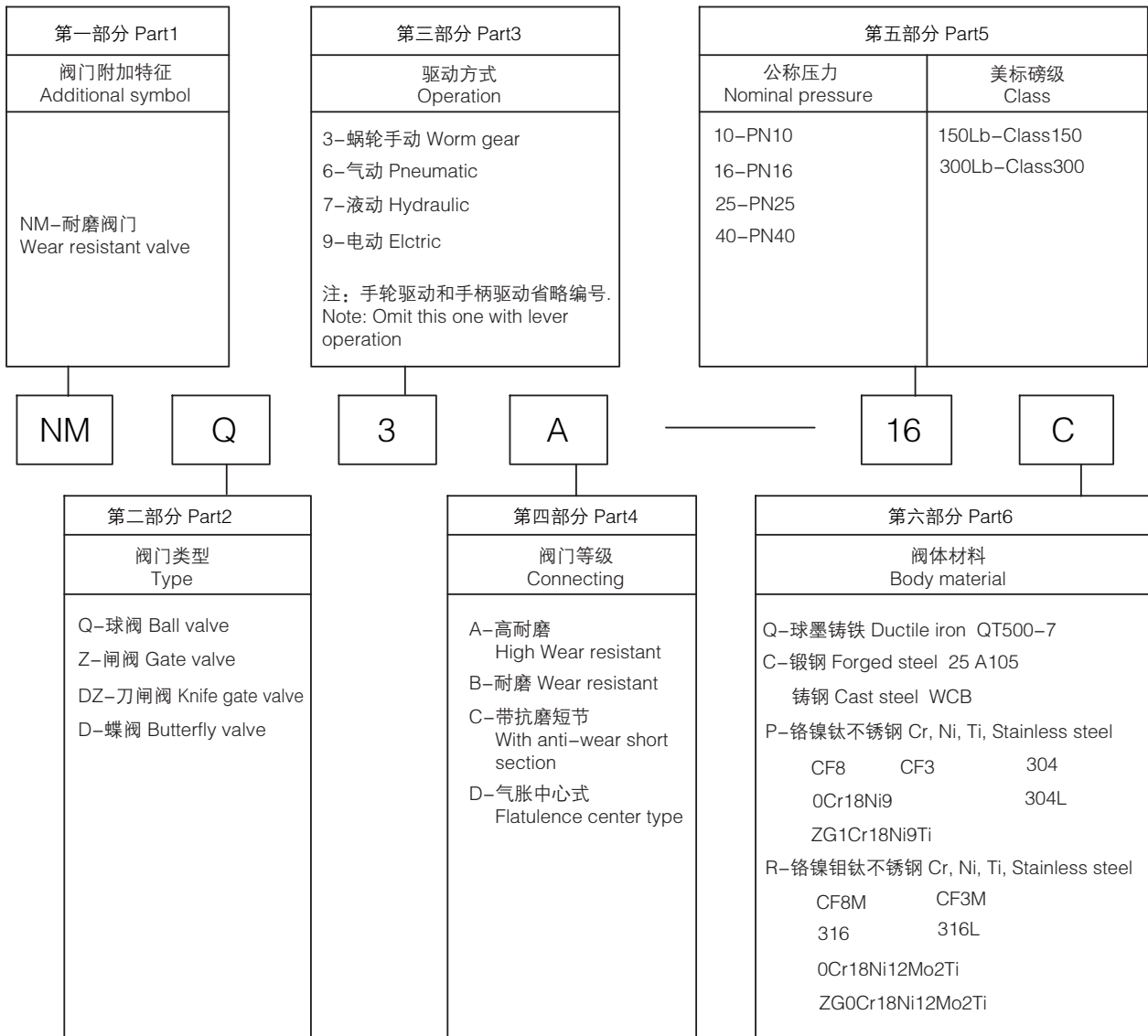
公称压力 Nominal Pressure	试验压力(MPa) Test Pressure			
	壳体强度(液体) Shell test (Liquid)	高压密封(液体) High pressure seal test (Liquid)	高压上密封(液体) Up seal test (Liquid)	低压密封(气体) Low pressure seal test (gas)
PN10	1.5	1.1	1.1	0.6
PN16	2.4	1.76	1.76	0.6
PN25	3.75	2.75	2.75	0.6
PN40	6.0	4.4	4.4	0.6

3. 钢制阀门的压力-温度额定值 Pressure of steel valve-temperature rating

材料代号 Code	材料 Material	基准温度℃ Standard temperature	工作温度 T/℃ Working temperature												
			250	300	350	400	425	435	445	455					
C	25 A105 WCB	200													
P	0Cr19Ni9 1Cr18Ni9Ti CF8	200	300	400	480	520	560	590	610	630	640	660	675	690	700
R	0Cr17Ni12Mo2 1Cr18Ni12Mo2Ti CF8M	200	300	400	480	520	560	590	610	630	640	660	675	690	700
公称压力 Nominal Pressure	Ps/MPa		最大工作压力MPa Max working pressure												
PN1	0.2	0.10	0.09	0.08	0.07	0.06	0.06	0.05	0.05						
PN2.5	0.4	0.25	0.22	0.20	0.18	0.16	0.14	0.12	0.11	0.10	0.09	0.08	0.07	0.06	0.06
PN4	0.6	0.40	0.36	0.32	0.28	0.25	0.22	0.20	0.18	0.16	0.14	0.12	0.11	0.10	0.09
PN6	0.9	0.60	0.56	0.50	0.45	0.40	0.36	0.32	0.28	0.25	0.22	0.20	0.18	0.16	0.14
PN10	1.5	1.0	0.90	0.80	0.70	0.64	0.56	0.50	0.45	0.40	0.36	0.32	0.28	0.25	0.22
PN16	2.4	1.6	1.4	1.25	1.1	1.0	0.90	0.80	0.70	0.64	0.56	0.50	0.45	0.40	0.36
PN25	3.8	2.5	2.2	2.0	1.8	1.6	1.4	1.25	1.1	1.0	0.90	0.80	0.70	0.64	0.56
PN40	6.0	4.0	3.6	3.2	2.8	2.5	2.2	2.0	1.8	1.6	1.4	1.25	1.1	1.0	0.90



三 耐磨阀型号编制说明 Instruction



注：1. 举例型号 NMQ3A-16C 代表阀门为“公称压力 PN16;蜗轮手动;高耐磨等级的碳钢球阀”，在实际应用中简称“高耐磨球阀”。

Note: The sample items NMQ3A-16C indicate the valve means pressure:PN16, Gear hand wheel, high wear resistant rate carbon steel ball valve,simple called: High wear resistant ball valve in the practical use.

2.上海华通阀门有限公司已经开发的耐磨阀门有：we have:

- | | |
|-----------------|---|
| a.NMQ3A-高耐磨球阀 | High wear resistant ball valve |
| b.NMZA -高耐磨闸阀 | High wear resistant gate valve |
| c.NMDZB-耐磨刀闸阀 | Wear resistant knife gate valve |
| d.NMD3C-耐磨蝶阀 | Wear resistant butterfly valve |
| e.NMD6D-气胀式耐磨蝶阀 | Flatulence wear resistant butterfly valve |



四 NMQ3A-16C NMQ3A-25

高耐磨球阀 (High wear resistant ball valve)



专利号: ZL 2009 20208498.5

产品特点

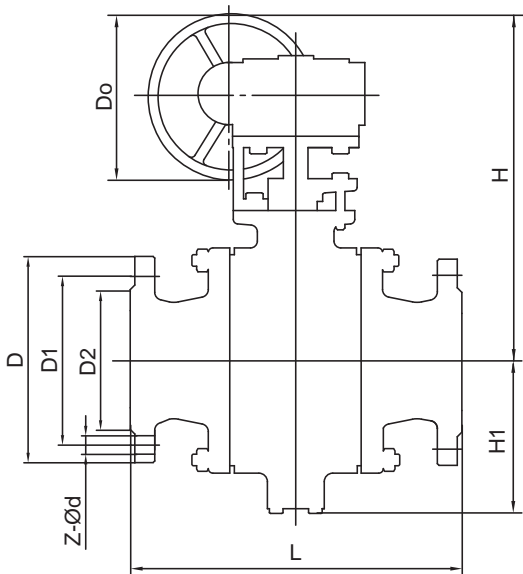
- 用三段式球阀，全口径设计，流通能力大，流阻小，减缓磨损，延长阀门使用寿命。
- 阀座密封副采用隐藏式设计，避免介质直接冲刷损伤。
- 阀门配有特殊材料与工艺制造的高耐磨护套，通道表面喷涂碳化钨，达到多层保护，增强耐磨性能。
- 高耐磨护套采用活接结构，用户可根据阀门磨损情况，方便更换，以降低用户生产使用成本。
- 球体采用特殊材料与工艺制造，并喷涂碳化钨高硬涂层以增强球体耐磨和抗冲刷性能。
- 阀门操作采用蜗轮传动，减轻球阀操作力矩，开关灵活，保护阀门安全运行。根据用户的需要可以提供气动或电动高耐磨球阀。
- 阀门设有吹扫、排污功能装置。
- 适用介质范围广，更适用于含硬质颗粒液体及风送、气送粉末颗粒介质。

Product feature

- It adopts three pieces and full bore design with high flow capacity and small flow resistance, making wear and tear slowly, and extending service life of valve.
- Counter-seats adopt hidden type protective design to avoid direct erosion damage from medium.
- Valve is fitted with high wear-resistant jacket which is composed of special material and process, surface of flow way is sprayed with tungsten carbide to form multi-layer protection, further improve wholly wear resistance and anti-erosion ability.
- High wear resistant jacket adopts replaceable structure, it is easy for customer to have maintenance according to abrasive situation of the valve, the purpose is to reduce user's using costs.
- Ball is produced using special material and process, and is sprayed with tungsten carbide to enhance wholly wear resistance as well as improve anti-erosion performance.
- Worm gear is fitted to drive valve and low operating torque. Easy open and close ensues the valve run safely.
- Valves equipped with purging and sewage function device.
- The scope of applicable of mediums is widely. It is more suitable for the mediums, such as liquid including rigid particles, powders driven by wind and gas.

性能规范 Performance standard

型号 Type	NMQ3A-16C	NMQ3A-25
公称压力 Nominal Pressure	PN16	PN25
实验压力 (MPa) Test Pressure	壳体强度 Shell test	2.4
	高压密封 Seal test	1.8
适用介质 Suitable medium	金属硅粉、矿粉、灰渣、浆液、水泥等 Metal gray powder, mineral powder, ash, serum, and cement etc.	
适用温度 Suitable temperature	≤300℃	



NMQ3A-16C NMQ3A-25 主要外形与连接尺寸 Main Outline and Connecting Dimension

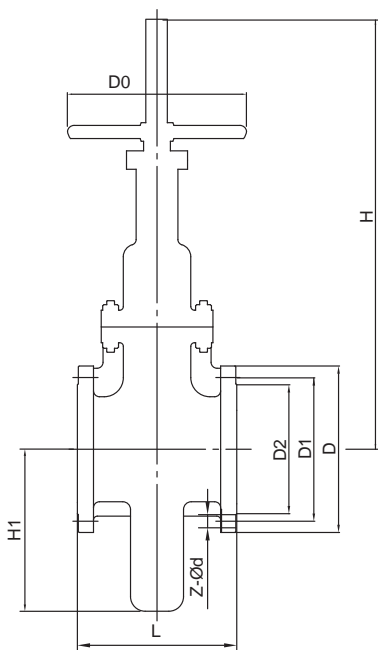
公称尺寸 DN	公称压力 PN	连接法兰尺寸 Flanged					外形尺寸 Dimensions			
		D	D1	D2	b	Z-Ød	L	H	H1	Do
20	16	115	85	65	16	4-14	140	310	85	120
	25	115	85	65	16	4-14	140	310	85	120
25	16	140	100	76	18	4-18	165	310	85	120
	25	140	100	76	18	4-18	165	310	85	120
32	16	150	110	84	18	4-18	165	340	96	160
	25	150	110	84	18	4-18	165	340	96	160
40	16	165	125	99	20	4-18	203	350	102	160
	25	165	125	99	20	4-18	203	350	102	160
50	16	185	145	118	20	4-18	222	358	114	160
	25	185	145	118	22	8-18	222	358	114	160
65	16	200	160	132	20	8-18	241	460	127	250
	25	200	160	132	24	8-18	241	460	127	250
80	16	220	180	156	22	8-18	305	490	152	250
	25	235	190	156	24	8-22	305	490	152	250
100	16	250	210	184	22	8-18	356	540	184	400
	25	270	220	184	26	8-26	356	540	184	400
125	16	285	240	211	24	8-22	394	580	219	400
	25	300	250	211	28	8-26	394	580	219	400
150	16	340	295	266	24	12-22	457	620	273	400
	25	360	310	274	30	12-26	457	620	273	400
200	16	405	355	319	26	12-26	533	760	360	600
	25	425	370	330	32	12-30	533	760	360	600
250	16	460	410	370	28	12-26	610	880	395	600
	25	485	430	389	34	16-30	610	880	395	600
300	16	520	470	429	30	16-26	686	970	430	700
	25	555	490	448	38	16-33	686	970	430	700
350	16	580	525	480	32	12-30	762	1050	470	700
	25	620	550	503	40	16-36	762	1050	470	700
400	16	640	585	548	40	20-30	838	1190	580	700
	25	670	600	548	46	20-36	838	1190	580	700

注：表中连接法兰尺寸按GB/T 9113.1的规定（因结构需要，法兰尺寸放大一个规格）。
 Note: Connection flange size according to GB/T9113.1 (As the structural needs, flange size amplify a specification.)

五 NMZA-16C NMZA-25

高耐磨闸阀
(Wear resistant gate valve)

专利号: ZL 2009 20078119.5



产品特点

- 采用全通径设计, 流通能力大, 流阻小, 减缓磨损, 延长阀门使用寿命。
- 阀座密封副采用隐藏式设计, 避免介质直接冲刷损伤。
- 阀门配有特殊材料与工艺制造的高耐磨护套, 通道表面喷涂碳化钨, 达到多层保护, 增强耐磨性能。
- 高耐磨护套采用活接结构, 用户可根据阀门磨损情况, 方便更换, 以降低用户生产使用成本。
- 闸板采用特殊材料与工艺制造, 并喷涂碳化钨高硬涂层以增强球体耐磨和抗冲刷性能。
- 阀门设有吹扫、排污功能装置。
- 阀门常规连接形式为法兰连接, 根据用户需要可以提供对夹连接或焊接连接高耐磨闸阀。
- 适用介质范围广, 更适用于含硬质颗粒液体及风送、气送粉末颗粒介质。

Product feature

- Full bore design with high flow capacity and small flow resistance, making wear and tear slowly, and extending service life of valve.
- Counter-seats adopt hidden type protective design to avoid direct erosion damage from medium.
- Valve is fitted with high wear-resistant jacket which is composed of special material and process, surface of flow way is sprayed with tungsten carbide to form multi-layer protection, further improve wholly wear resistance and anti-erosion ability.
- High wear resistant jacket adopts replaceable structure, it is easy for customer to have maintenance according to abrasive situation of the valve, the purpose is to reduce user's using costs.
- Gate is produced using special material and process, and is sprayed with tungsten carbide to enhance wholly wear resistance as well as improve anti-erosion performance.
- Valves equipped with purging and sewage function device.
- Valve connecting is flange type, according to user's requirement, we can design wafer, weld type high wear resistant gate valve.
- The scope of applicable of mediums is widely. It is more suitable for the mediums, such as liquid including rigid particles, powders driven by wind and gas.

性能规范 Performance standard

型号 Type	NMZA-16C	NMZA-25	
公称压力 Nominal Pressure	PN16	PN25	
实验压力 (MPa) Test Pressure	壳体强度 Shell test	2.4	3.8
	高压密封 Seal test	1.8	2.8
适用介质 Suitable medium	金属硅粉、矿粉、灰渣、浆液、水泥等 Metal gray powder, mineral powder, ash, serum, and cement etc.		
适用温度 Suitable temperature	≤300°C		



NMZA-16C NMZA-25 主要外形与连接尺寸 Main Outline and Connecting Dimension

公称尺寸 DN	公称压力 PN	连接法兰尺寸 Flanged					外形尺寸 Dimensions			
		D	D1	D2	b	Z-Ød	L	H	H1	Do
20	16	115	85	65	16	4-14	127	340	135	160
	25	115	85	65	16	4-14	127	340	135	160
25	16	140	100	76	18	4-18	140	353	135	180
	25	140	100	76	18	4-18	140	353	135	180
32	16	150	110	84	18	4-18	165	389	140	200
	25	150	110	84	18	4-18	165	389	140	200
40	16	165	125	99	20	4-18	178	465	150	240
	25	165	125	99	20	4-18	178	465	150	240
50	16	185	145	118	20	4-18	190	550	160	300
	25	185	145	118	22	8-18	190	550	160	300
65	16	200	160	132	20	8-18	203	610	180	300
	25	200	160	132	24	8-18	203	610	180	300
80	16	220	180	156	22	8-18	229	700	216	300
	25	235	190	156	24	8-22	229	700	216	300
100	16	250	210	184	22	8-18	254	798	257	350
	25	270	220	184	26	8-26	254	798	257	350
125	16	285	240	211	24	8-22	267	895	300	350
	25	300	250	211	28	8-26	267	895	300	350
150	16	340	295	266	24	12-22	292	1130	390	350
	25	360	310	274	30	12-26	292	1130	390	350
200	16	405	355	319	26	12-26	330	1290	480	400
	25	425	3470	330	32	12-30	330	1290	480	400
250	16	460	410	370	28	12-26	356	1480	550	450
	25	485	430	389	34	16-30	356	1480	550	450
300	16	520	470	429	30	16-26	381	1660	625	450
	25	555	490	448	38	16-33	381	1660	625	450
350	16	580	525	480	32	12-30	406	1850	710	500
	25	620	550	503	40	16-36	406	1850	710	500
400	16	640	585	548	40	20-30	432	2080	785	500
	25	670	600	548	46	20-36	432	2080	785	500

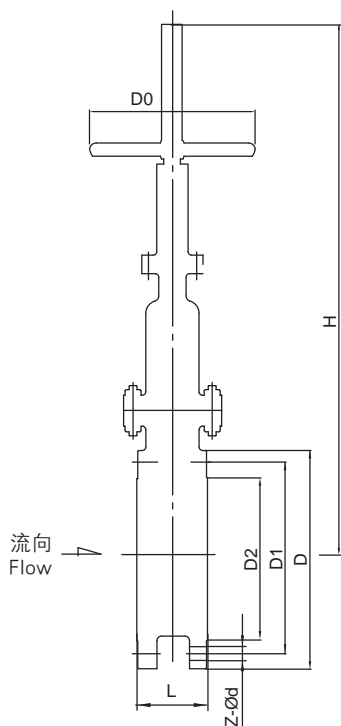
注：表中连接法兰尺寸按GB/T 9113.1的规定（因结构需要，法兰尺寸放大一个规格）。

Note: Connection flange size according to GB/T9113.1 (As the structural needs, flange size amplify a specification.)

六 NMDZB-10C NMDZB-16C

耐磨刀闸阀
(Wear resistant knife gate valve)

专利号: ZL 2009 20208499.X



产品特点

- 采用全通径设计，流通能力大，流阻小，减缓磨损，延长阀门使用寿命。
- 阀座密封副采用隐藏式设计，避免介质直接冲刷损伤。
- 阀门配有特殊材料与工艺制造的高耐磨护套，通道表面喷涂碳化钨，达到多层保护，增强耐磨性能。
- 高耐磨护套采用活接结构，用户可根据阀门磨损情况，方便更换，以降低用户生产使用成本。
- 闸板采用特殊材料与工艺制造，并喷涂碳化钨高硬涂层以增强闸板耐磨和抗冲刷性能。
- 阀门是单向密封耐磨阀，结构尺寸短，重量轻，公称通径法兰连接。
- 适用介质范围广，更适用于浆液、含硬质颗粒液体及风送粉末颗粒介质。

Product feature

- Full bore design with high flow capacity and small flow resistance, making wear and tear slowly, and extending service life of valve.
- Counter-seats adopt hidden type protective design to avoid direct erosion damage from medium.
- Valve is fitted with high wear-resistant jacket which is composed of special material and process, surface of flow way is sprayed with tungsten carbide to form multi-layer protection, further improve wholly wear resistance and anti-erosion ability.
- High wear resistant jacket adopts replaceable structure, it is easy for customer to have maintenance according to abrasive situation of the valve, the purpose is to reduce user's using costs.
- Gate is produced using special material and process, and is sprayed with tungsten carbide to enhance wholly wear resistance as well as improve anti-erosion performance.
- The valve is one-way seal wear-resisting valves, with short Structure size, Light Weight, Nominal diameter flange connection.
- The scope of applicable of mediums is widely. It is more suitable for the mediums, such as liquid including rigid particles, powders driven by wind and gas.

性能规范 Performance standard

型号 Type	NMDZB-10C	NMDZB-16C
公称压力 Nominal Pressure	PN10	PN16
实验压力 (MPa) Test Pressure	壳体强度 Shell test	2.4
	高压密封 Seal test	1.8
适用介质 Suitable medium	金属硅粉、矿粉、灰渣、浆液、水泥等 Metal gray powder, mineral powder, ash, serum, and cement etc.	
适用温度 Suitable temperature	≤300℃	

NMDZB-10C NMDZB-16C 主要外形与连接尺寸 Main Outline and Connecting Dimension

公称尺寸 DN	公称压力 PN	连接法兰尺寸 Flanged				外形尺寸 Dimensions		
		D	D1	D2	Z-Ød	L	H	Do
50	10	165	125	99	4-18	43	475	180
	16	165	125	99	4-18	43	475	180
65	10	185	145	118	4-18	46	500	180
	16	185	145	118	4-18	46	500	180
80	10	200	160	132	8-18	64	535	220
	16	200	160	132	8-18	64	535	220
100	10	220	180	156	8-18	64	605	220
	16	220	180	156	8-18	64	605	220
125	10	250	210	184	8-18	70	665	280
	16	250	210	184	8-18	70	665	280
150	10	285	240	211	8-22	70	765	280
	16	285	240	211	8-22	70	765	280
200	10	340	295	266	8-22	80	880	360
	16	340	295	266	12-22	80	880	360
250	10	395	350	319	12-22	85	1020	360
	16	405	355	319	12-26	85	1020	360
300	10	445	400	370	12-22	100	1220	400
	16	460	410	370	12-26	100	1220	400
350	10	505	460	429	16-22	100	1370	400
	16	520	470	429	16-26	100	1370	400
400	10	565	515	480	16-26	100	1560	400
	16	580	525	480	16-30	100	1560	400
450	10	615	565	530	20-26	120	1720	530
	16	640	585	548	20-30	120	1720	530
500	10	670	620	582	20-26	130	1870	530
	16	715	650	609	20-33	130	1870	530
600	10	780	725	682	20-30	140	2220	600
	16	840	770	720	20-36	140	2220	600
700	10	895	840	794	24-30	154	2570	600
	16	910	840	794	24-36	154	2570	600
800	10	1015	950	901	24-33	165	3030	600
	16	1025	950	901	24-39	165	3030	600
900	10	1115	1050	1001	28-33	190	3430	600
	16	1125	1050	1001	28-39	190	3430	600
1000	10	1230	1160	1112	28-36	203	3770	600
	16	1255	1170	1112	28-42	203	3770	600

注：1、由于对夹式刀闸阀结构所限，阀体上的安装螺孔Z-Ød有一部分是螺纹孔。

2、公称尺寸≥DN600采用锥齿轮传动。

Note: 1. As this knife gate valve structure limited, one part of installation screw hole Z-Ød in the body is threaded hole.

2. Nominal size ≥DN600 use bevel gear drive.



七 NMD3C-16C NMD3C-25

耐磨蝶阀 (Wear resistant butterfly valve)



专利号：ZL 2009 20208500.9

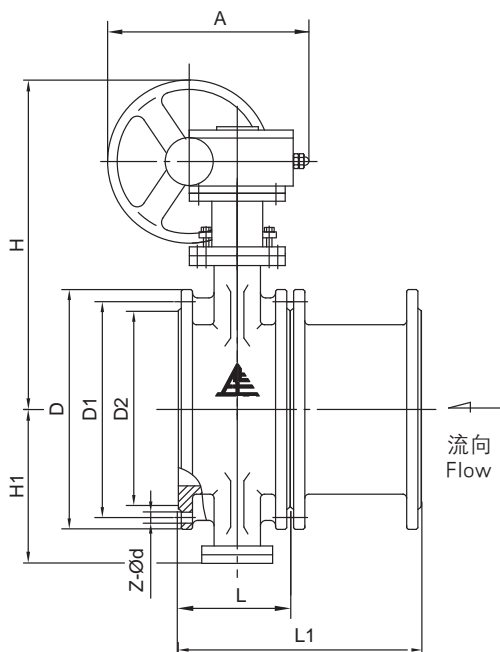
产品特点

- 采用三偏心蝶阀，分段轴设计，流通能力大，流阻小，减缓磨损，延长阀门使用寿命。
- 蝶板密封面采用隐藏式设计，避免介质直接冲刷损伤。
- 抗磨损节内设有特殊结构，在全开启状态下保护蝶板密封面免受冲刷。
- 高耐磨的阀座采用活接结构，用户可根据阀门磨损情况，方便更换，以降低用户生产使用成本。
- 阀门操作采用蜗轮传动，减轻蝶阀操作力矩，开关灵活，保护阀门安全运行。根据用户的需要可以提供气动或电动耐磨蝶阀。
- 适用介质范围广，更适用于风送、气送粉末颗粒介质。

Product feature

- Adopts triple eccentric butterfly valve, Subsection axle design, has big flow capacity, but with small Flow resistance, can Slow wear and Extend valve life.
- Hidden design for the valve seat seal surface, Avoid directly eroded by the medium damage
- Anti wear short section contains a seal structure, In full open position to protect disc sealing surface from scouring.
- High abrasion proof set of using live meet structure, Users can according to the valve wear, change Convenient, In order to reduce production cost of users.
- Valve operating adopts turbine transmission, Reduce butterfly valve operating torque, open and close smoothly, Protect the valve safety operation, According to the needs of user can provide pneumatic or electric wear-resisting butterfly valve.
- Applicable wide medium range, The more suitable for the wind to send, gas send powder particles medium.

性能规范 Performance standard



型号 Type	NMD3C-16C	NMD3C-25	
公称压力 Nominal Pressure	PN16	PN25	
实验压力 (MPa) Test Pressure	壳体强度 Shell test	2.4	3.8
	高压密封 Seal test	1.8	2.8
适用介质 Suitable medium	矿粉、浆液、水泥等 mineral powder, seriflux cement etc.		
适用温度 Suitable temperature	≤60℃		

NMD3C-16C NMD3C-25 主要外形与连接尺寸 Main Outline and Connecting Dimension

公称尺寸 DN	公称压力 PN	连接法兰尺寸 Flanged				外形尺寸 Dimensions				
		D	D1	D2	Z-Ød	L	L1	H	H1	Do
50	16	165	125	99	4-18	108	243	310	125	185
	25	165	125	99	4-18	108	243	310	125	185
65	16	185	145	118	4-18	112	256	320	130	185
	25	185	145	118	8-18	112	256	320	130	185
80	16	200	160	132	8-18	114	268	335	140	185
	25	200	160	132	8-18	114	268	335	140	185
100	16	220	180	156	8-18	127	300	345	155	185
	25	235	190	156	8-22	127	300	345	155	185
125	16	250	210	184	8-18	140	330	360	180	185
	25	270	220	184	8-26	140	330	360	180	185
150	16	285	240	211	8-22	140	338	450	195	280
	25	300	250	211	8-26	140	338	450	195	280
200	16	340	295	266	12-22	152	373	485	220	280
	25	360	310	274	12-26	152	373	485	220	280
250	16	405	355	319	12-26	165	418	525	240	280
	25	425	370	330	12-30	165	418	525	240	320
300	16	460	410	370	12-26	178	450	665	285	320
	25	485	430	389	16-30	178	450	665	285	320
350	16	520	470	429	16-26	190	480	690	315	320
	25	555	490	448	16-33	190	480	710	315	430
400	16	580	525	480	12-30	216	520	726	355	430
	25	620	550	503	16-36	216	520	755	355	430
450	16	640	585	548	20-30	222	540	790	385	430
	25	670	600	548	20-36	222	540	790	385	4230
500	16	715	650	609	20-33	229	560	810	430	430
	25	730	660	609	20-36	229	560	810	430	430
600	16	840	770	720	20-36	267	620	870	505	430
	25	845	770	720	20-39	267	620	920	505	580
700	16	910	840	794	24-36	292	736	1010	525	580
	25	960	875	820	24-42	292	736	1010	525	580
800	16	1025	950	901	24-39	318	790	1070	585	580
	25	1085	990	928	24-48	318	790	1070	585	760
900	16	1125	1050	1001	28-39	330	840	1126	635	760
	25	1185	1090	1028	28-48	330	840	1126	635	760
1000	16	1255	1170	1112	28-42	410	1010	1380	705	760
	25	1320	1210	1140	28-55	410	1010	1380	705	760

注：表中连接法兰尺寸按GB/T 9113.1的规定。
 Note: The connections flange size according to GB/T9113.1.

八 NMD6D-10C NMD6D-16C

气胀耐磨蝶阀

(Flatulence wear resistant butterfly valve)



产品特点

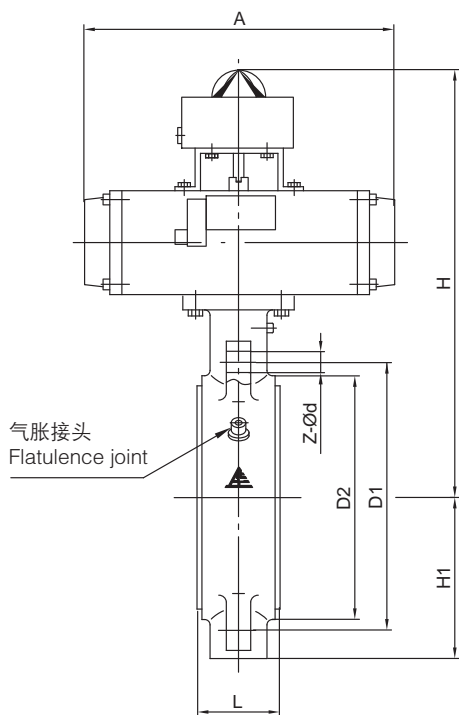
- 采用对夹式中心蝶阀，分段轴设计，流线形蝶板，流通能力大，流阻小。
- 密封副采用气胀式结构，有效补偿介质对密封副的磨损，延长阀门的使用寿命。
- 气胀式的密封结构，保证了阀门启闭过程中密封副无接触，因此消除了密封副之间的磨损，减小了阀门启闭力矩。
- 阀门的气动装置与气胀密封结构由电控系统自动化操作，保护阀门安全运行。
- 适用介质范围广，更适用于浆液和含硬质颗粒液体介质。

Product feature

- Using the wafer center butterfly valve, subsection axle design, streamlined disc with big flow capacity and small flow resistance.
- Counter-seat adopts flatulence structure, effectively compensate the wear from the medium to extend valve life.
- Flatulence type sealing structure, ensure the valve opening and closing process seal face no contact, so eliminate the wear between seal surface and reduce valve opening and closing torque.
- The valve pneumatic device and flatulence sealing structure electronic-controlled system automatically by procedure, protect the valve safety operation.
- Applicable wide medium range, The more suitable for the wind to send, gas send powder particles medium.

性能规范 Performance standard

型号Type	NMD6D-10C	NMD6D-16C
公称压力 Nominal Pressure	PN10	PN16
实验压力 (MPa) Test Pressure	壳体强度 Shell test	2.4
	高压密封 Seal test	1.8
适用介质 Suitable medium	矿粉、浆液、含硬质颗粒液体等 Mineral powder seriflux, contain hard particle liquids, etc.	
适用温度 Suitable temperature	≤80℃	



NMD6D-10C NMD6D-16C 主要外形与连接尺寸 Main Outline and Connecting Dimension

公称尺寸 DN	公称压力 PN	连接法兰尺寸 Flanged				外形尺寸 Dimensions			
		D	D1	D2	Z-Ød	L	H	H1	A
50	10	165	125	99	4-18	43	290	80	180
	16	165	125	99	4-18	43	290	80	180
65	10	185	145	118	4-18	46	305	90	180
	16	185	145	118	4-18	46	305	90	180
80	10	200	160	132	8-18	46	345	95	245
	16	200	160	132	8-18	46	345	95	245
100	10	220	180	156	8-18	52	360	115	245
	16	220	180	156	8-18	52	360	115	245
125	10	250	210	184	8-18	56	380	125	245
	16	250	210	184	8-18	56	380	125	245
150	10	285	240	211	8-22	56	525	140	360
	16	285	240	211	8-22	56	525	140	360
200	10	340	295	266	8-22	60	600	175	360
	16	340	295	266	12-22	60	600	175	360
250	10	395	350	319	12-22	68	640	206	360
	16	405	355	319	12-26	68	640	206	360
300	10	445	400	370	12-22	78	660	240	600
	16	460	410	370	12-26	78	660	240	600
350	10	505	460	429	16-22	78	690	270	600
	16	520	470	429	16-26	78	690	270	600
400	10	565	515	480	16-26	102	710	315	600
	16	580	525	480	16-30	102	710	315	600
450	10	615	565	530	20-26	114	760	320	750
500	10	670	620	582	20-26	127	785	350	750
600	10	780	725	682	20-30	154	830	410	750

注：表中连接法兰尺寸按GB/T 9115.1的规定；管道上对夹连接用法兰应采用突面对焊钢制管法兰或者蝶阀专用平焊钢法兰。
The connection flange size: according to GB/T 9115.1. The flange used for clip connection to the pipe should be raised face steel flange or flat welding steel flange special used for butterfly flange.

上海生产园区：上海市嘉定江桥工业园区江桥路35号(201803)

安徽生产园区：安徽省和县经济开发区斯瑞尔工业园

公司电话/传真：电话：+86-21-59141010 700210037800

传真：+86-21-59141212

公司网址：<http://www.ht-valve.com>

电子邮箱：sales@ht-valve.com

Shanghai Factory: No.35 Jiangqiao Road, Jiangqiao Industry Zone,
Jiading District, Shanghai (201803)

Anhui Factory: SIRUIER industry zone, hexian economy develop zone, Anhui.

Tel and Fax: T: +86-21-59141010 700210037800

F: +86-21-59141212

URL: <http://www.ht-valve.com>

E-mail: sales@ht-valve.com

1 3 3 0 7 3 2 8 - 9

